



Zonador 9 Inspection and Maintenance Door

Sturdily built Zonador 9 inspection and maintenance door is applicable to machines and equipment with protective covering, but with certain machine parts that must be repeatedly accessed for inspection, adjustment or maintenance.

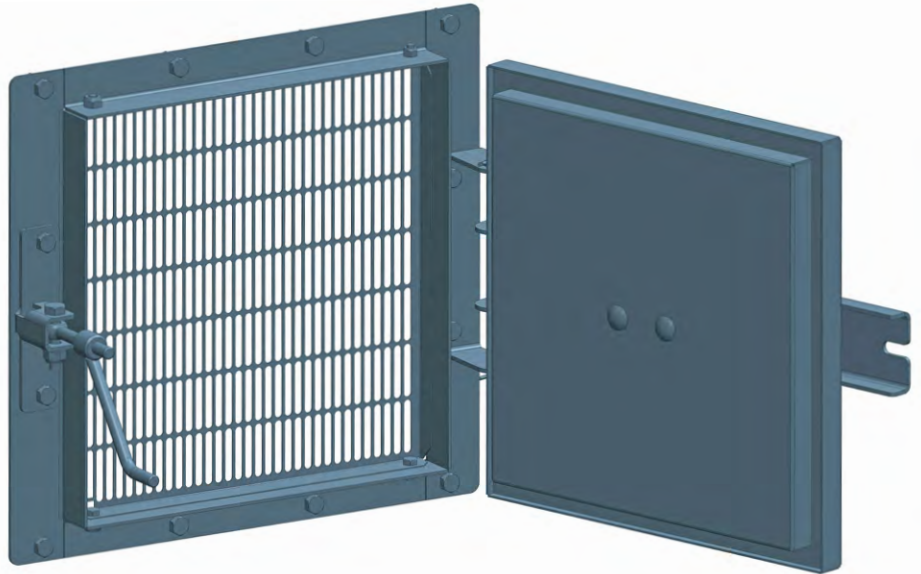
Refined Zonador 9 withstands even tough conditions. Years of user experience have been utilized in its design.

Zonador 9 inspection and maintenance door is designed for fixed mounting on the protective housing of production equipment.

Its standard dimensions are 400 x 400 mm and 400 x 600 mm with conventional frame bolt spacing.

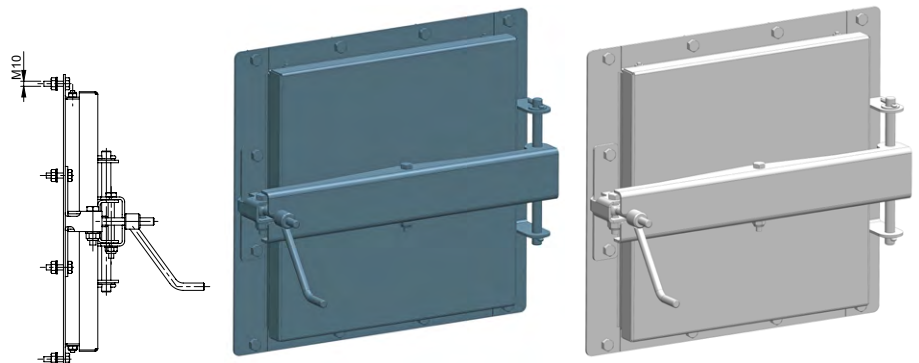
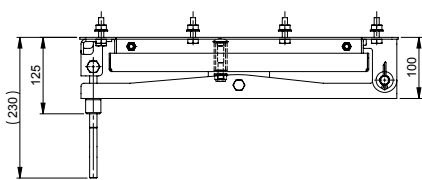
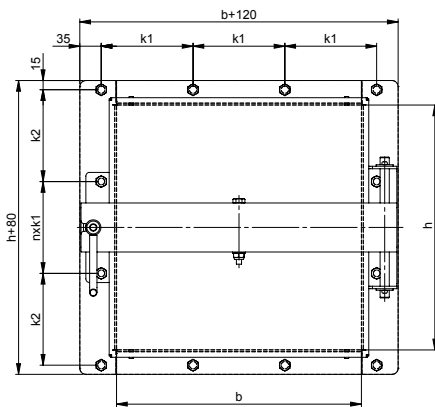
Typical examples of places for mounting are machines and equipment with operations that must be repeatedly accessed for inspection through the maintenance door, such as belt conveyors or systems that process solid fuels or biomass.

The standard material of Zonador 9 inspection and maintenance door is S355/DC01 steel. ZD9 is sturdy due to an encapsulated door, a robust door locking mechanism and sufficient material strength.



The hot galvanized door withstands temperatures of at least 300°C and tolerates minor pressure shocks. The door can be opened without tools, but removing the protective steel grating behind the door requires tools. SST protective grating is dimensioned for a standard 25 mm safety distance. Any hazardous device must be stopped before removing the protective grating. Zonador 9 may be equipped with a safety switch if necessary.

Zonador is an example of smart and ergonomic Finnish design. Surface finishing options include hot galvanized or painted steel. The door is available also in stainless steel.



Dimensional Specifications

Frame opening size (mm)	b (mm)	h (mm)	n	k1(mm)	k2(mm)	Wall opening (mm)	Weight (kg)	Material	Product number
400 x 400	400	400	1	150	150	400 x 400	16	St + Zn (HDG)	128600
400 x 400	400	400	1	150	150	400 x 400	16	St + painting	128601
400 x 400	400	400	1	150	150	400 x 400	16	RST	128602
400 x 600	400	600	3	150	100	400 x 600	24	St + Zn (HDG)	128603
400 x 600	400	600	3	150	100	400 x 600	24	St + painting	128604
400 x 600	400	600	3	150	100	400 x 600	24	RST	128605



Contact us:
 Jetmasters Oy, Pakkastie 5,
 FI-87500 Kajaani, FINLAND
 Tel. +358 500 482 243
www.zonador.com, sales@jetmasters.fi

