

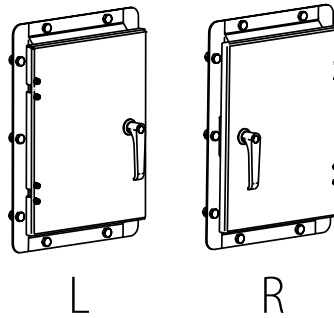
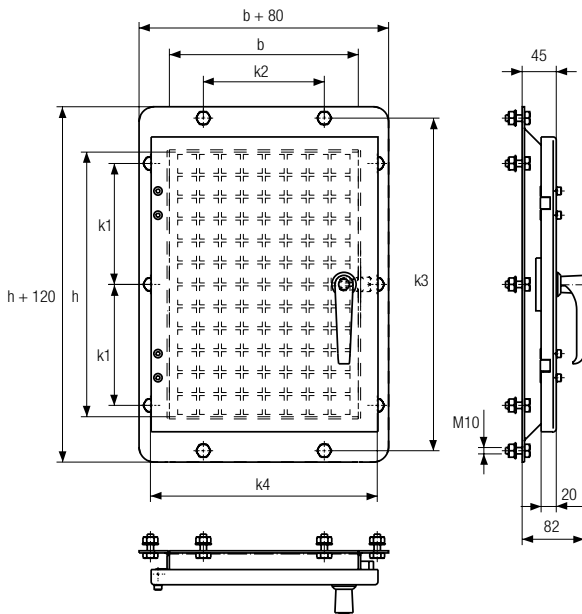
## Zonador 8 Inspection and Maintenance Door

Zonador 8 inspection and maintenance door is applicable to machines and equipment with protective covering, but with certain machine parts that must be repeatedly accessed for inspection, adjustment or maintenance.

The door is designed for fixed mounting on the protective housing of production equipment. The size options in our product range enable door placement onto a variety of applications. A typical example of a place for mounting is next to the belt cleaner on a belt conveyor. Belt cleaner operations can then be monitored and adjusted by way of the door. Inside the door, the top and bottom edges of the frame are inclined at an angle of 45° so that material will not get vaulted behind the door.

The standard material of Zonador 8 inspection and maintenance door is S355 steel. The frame profile is sturdy for a tight fit also on thin steel housing. There are dust seals on both the inspection door and latch bolt. The handle and hinges are made of metal. The standard surface finishing is a powder coating, shade RAL 2000. A mounting template, sound insulation, frame seal and safety switch are available as accessories. The product is optionally available in stainless steel.

The protective steel grating can be removed with tools if necessary. Any hazardous device must be stopped before removing the protective grating. A safety distance of at least 120 mm from the protective grating to the hazardous point must be observed when mounting.



Dimensional Specifications									
Frame opening size (mm)	b (mm)	h (mm)	k1(mm)*	k2 (mm)**	k3(mm)	k4(mm)	Wall opening (mm)	Weight (kg)	Product number
150 x 250	150	250	120	130	340	200	170 x 310	4	126832L or R
250 x 350	250	350	160	160	440	300	270 x 410	6	126668L or R
330 x 460	330	460	200	200	550	380	350 x 520	8,5	126710L or R
400 x 600	400	600	250	250	690	450	420 x 660	11,5	126730L or R
500 x 500	500	500	200	250	590	550	520 x 560	12	126752L or R
600 x 800	600	800	250	250	890	650	620 x 860	15	126774L or R

\* Three bolts along the long edge, except four bolts on the 600 x 800 mm door. \*\* Two bolts along the short edge, except three bolts on the 600 x 800 mm door.